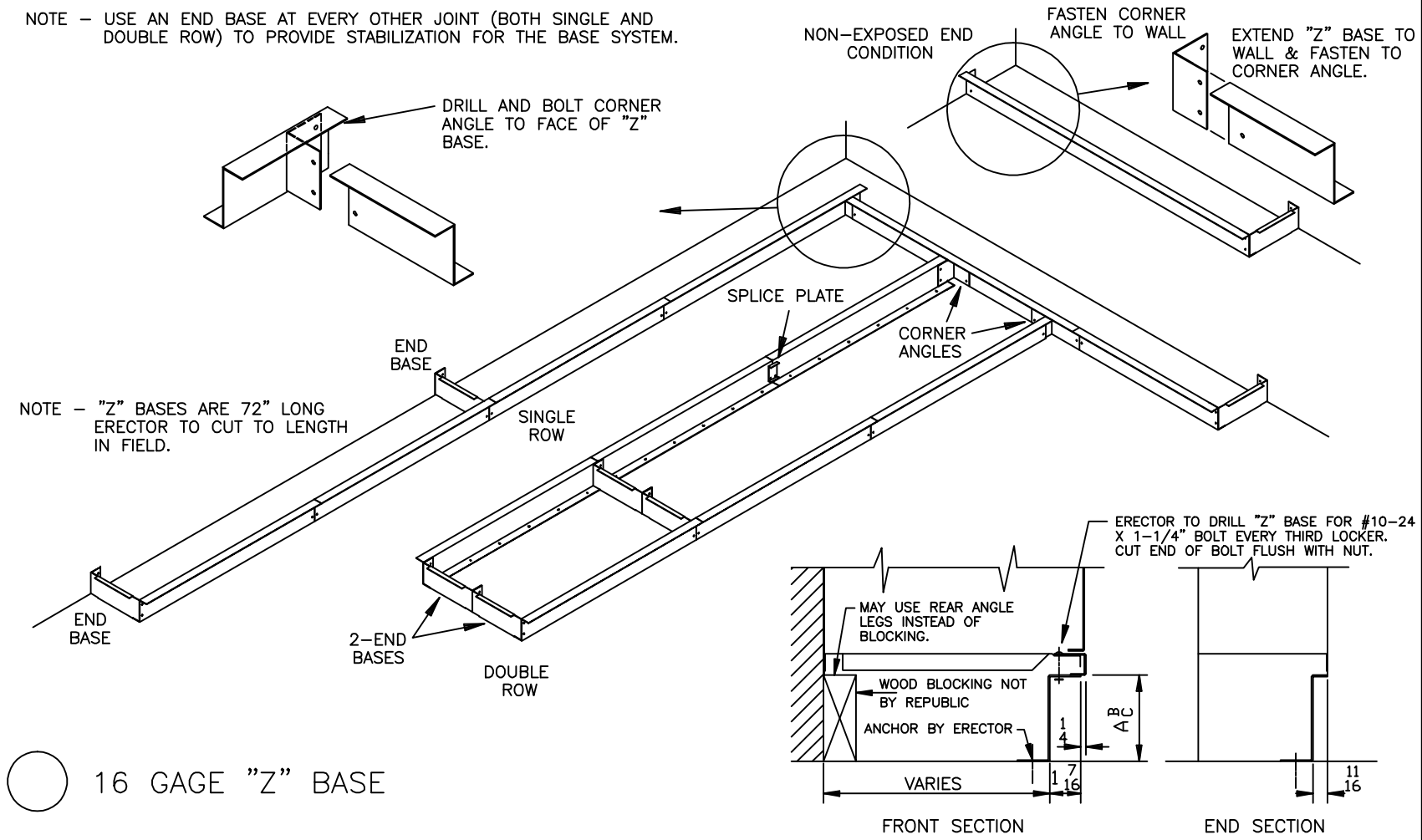


NOTE - USE AN END BASE AT EVERY OTHER JOINT (BOTH SINGLE AND DOUBLE ROW) TO PROVIDE STABILIZATION FOR THE BASE SYSTEM.

NON-EXPOSED END CONDITION
 FASTEN CORNER ANGLE TO WALL
 EXTEND "Z" BASE TO WALL & FASTEN TO CORNER ANGLE.

DRILL AND BOLT CORNER ANGLE TO FACE OF "Z" BASE.

NOTE - "Z" BASES ARE 72" LONG
 ERECTOR TO CUT TO LENGTH
 IN FIELD.



○ 16 GAGE "Z" BASE

ERECTOR TO DRILL "Z" BASE FOR #10-24 X 1-1/4" BOLT EVERY THIRD LOCKER. CUT END OF BOLT FLUSH WITH NUT.

FRONT SECTION

END SECTION