

SECURITY BOX W/ PULL &
PADLOCK ATTACHMENT

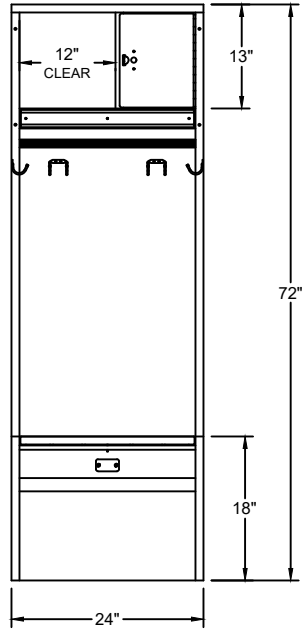
SHELF

2" NAME PLATE HOLDER

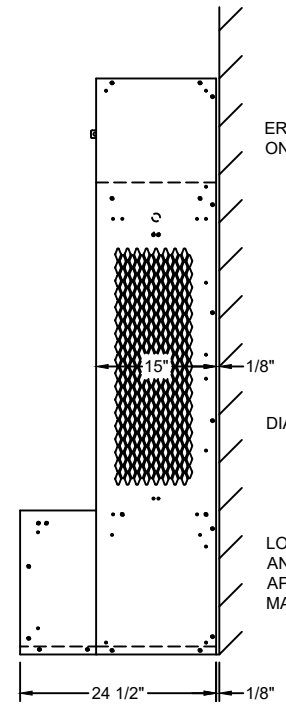
1" COAT ROD

4-DOUBLE PRONG HOOKS

FOOTLOCKER COMPARTMENT
W/ LID & PADLOCK ATTACHMENT



FRONT ELEVATION



SINGLE ROW
END ELEVATION

ERECTOR TO ANCHOR
ON 36" MAX. CENTERS

DIAMOND PERFORATED SIDES

LOCKERS SHALL BE
ANCHORED IN AN
APPROVED WORKMANLIKE
MANNER

XXV452D

MVP II LOCKER FRAMES 24" X 24 1/2" X 72" S.R.S.T.