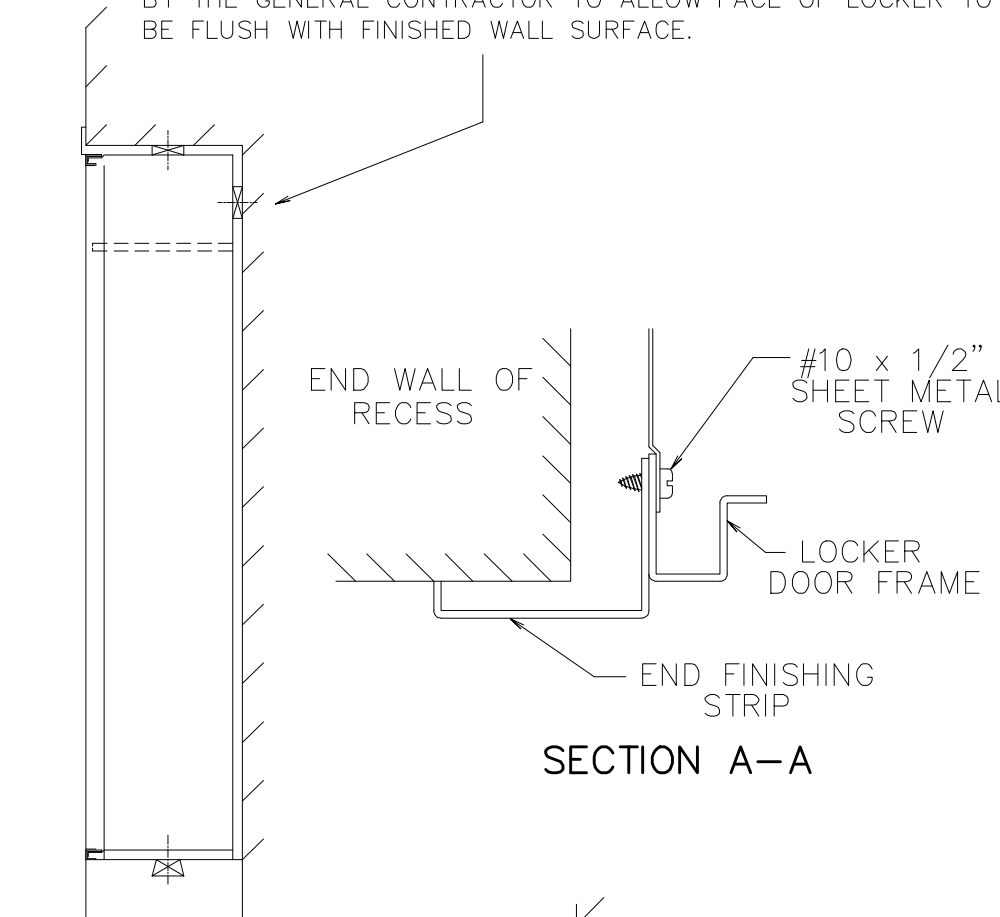
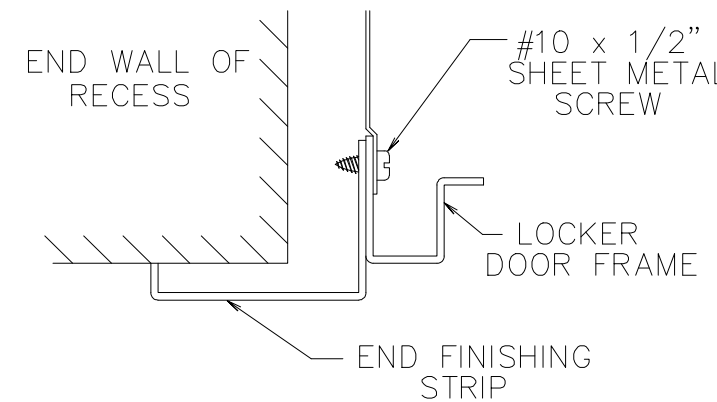


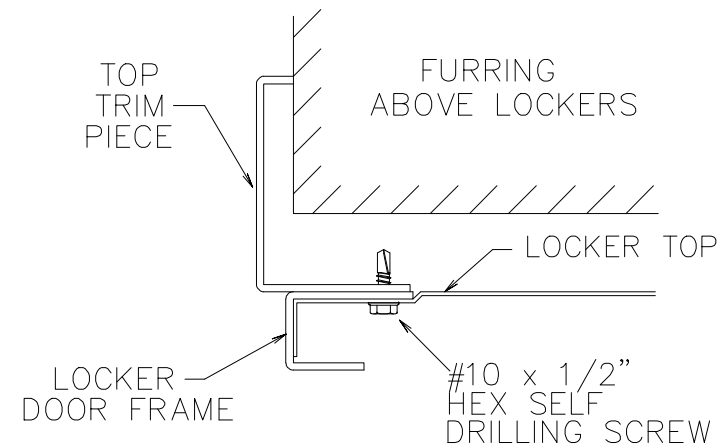
FRONT ELEVATION OF RECESS



END ELEVATION



SECTION A-A



SECTION B-B

GENERAL INSTRUCTIONS

1. ASSEMBLE LOCKERS, TO BE RECESSED, IN GROUPS AS COVERED BY LOCKER ASSEMBLY INSTRUCTIONS, AND THE FLOOR PLAN DRAWING FOR THE INSTALLATION.
2. THREE BOLTS ATTACHING THE DOOR FRAME TO THE "END" SIDES SHOULD BE REMOVED WHEN GROUPS ARE JOINED IN A RECESS. BOLTS ATTACHING THE DOOR FRAME TO THE LOCKER TOP SHOULD BE OMITTED.
3. A "GROUP" REFERS TO AN ASSEMBLY OF TWO OR MORE LOCKERS USING ONE SIDE BETWEEN EACH LOCKER. A "ROW" OF LOCKERS REFERS TO TWO OR MORE ADJACENT "GROUPS" BOLTED TOGETHER.

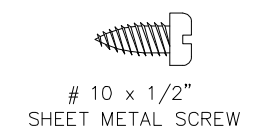
RECESSING INSTRUCTIONS

1. ALIGN AND PLUMB LOCKERS, IN RECESS, SO THE DOOR FRAMES ARE FLUSH WITH FINISHED WALL SURFACE.
2. LOCKER GROUPS ARE BOLTED TOGETHER THROUGH DOOR FRAMES ONLY.
3. CAREFULLY LEVEL THE ROW OF LOCKERS BY PLACING SHIMS UNDER THE DOOR FRAMES AT THE LOW POINTS.
4. WHEN ANCHORING LOCKERS, BE SURE TO MAINTAIN ALIGNMENT IN RECESS. EACH END LOCKER SHOULD BE ANCHORED. (REFER TO ANCHORING INSTRUCTIONS FOR RECOMMENDED ANCHORING METHODS).
5. TOP TRIM PIECES ARE FURNISHED IN 60" LENGTHS. ERECTOR TO CUT REQUIRED LENGTHS.

6. THE GROUP OF LOCKERS AT END OF ROW, SHOULD HAVE ENOUGH LENGTH OF TOP TRIM EXTENDING BEYOND END LOCKER TO REACH WALL AT END OF RECESS OPENING.
7. ATTACH TOP FLANGE OF TOP TRIM TO TOP CROSS MEMBER OF EACH ROW WITH #10 x 1/2" HEX SELF DRILLING SCREW AS SHOWN IN SECTION "B-B".
8. REMOVE TOP, CENTER AND BOTTOM BOLTS FROM DOOR FRAMES AT ENDS OF EACH ROW. ATTACH SIDE TRIM PIECES WITH THREE #10 x 1/2" SHEET METAL SCREWS FROM INSIDE OF LOCKER THROUGH SIDE TRIM PIECE. SEE SECTION "A-A".
9. HOLD TOP AND SIDE TRIM PIECES TIGHTLY AGAINST FACE OF RECESS. TIGHTEN SHEET METAL SCREWS TO HOLD IN PLACE.

LOCKER SHALL BE ANCHORED THROUGH THE BOTTOM AND THROUGH THE BACK OR TOP IN AN APPROVED WORKMANLIKE MANNER BY THE LOCKER ERECTOR. THE GENERAL CONTRACTOR IS TO INSTALL WOOD GROUNDS IN THE BASE.

WOOD STRIPS AT THE BACK, IF USED, ARE TO BE INSTALLED BY THE GENERAL CONTRACTOR TO ALLOW FACE OF LOCKER TO BE FLUSH WITH FINISHED WALL SURFACE.



RECESSED LOCKER
TRIM ASSEMBLY
INSTRUCTIONS

LGH REPUBLIC
LYON
LYON GROUP HOLDINGS

REVISIONS
E-220215-1

5913-CA