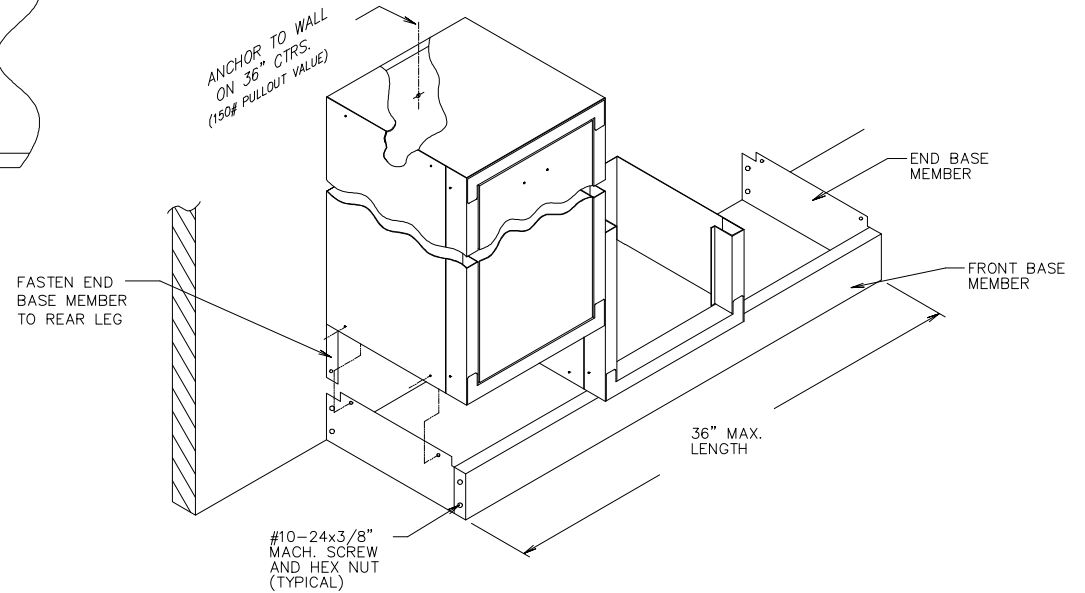
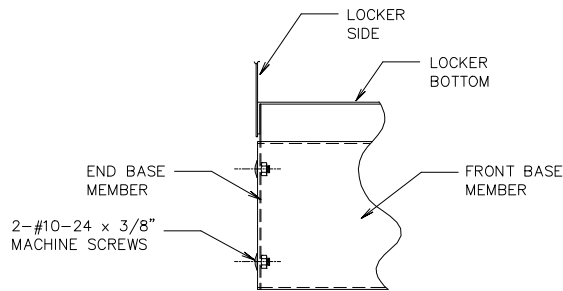


**NOTE: THIS STYLE OF BASE IS DESIGNED FOR USE ON WALL-ANCHORED SINGLE ROW APPLICATIONS ONLY.**

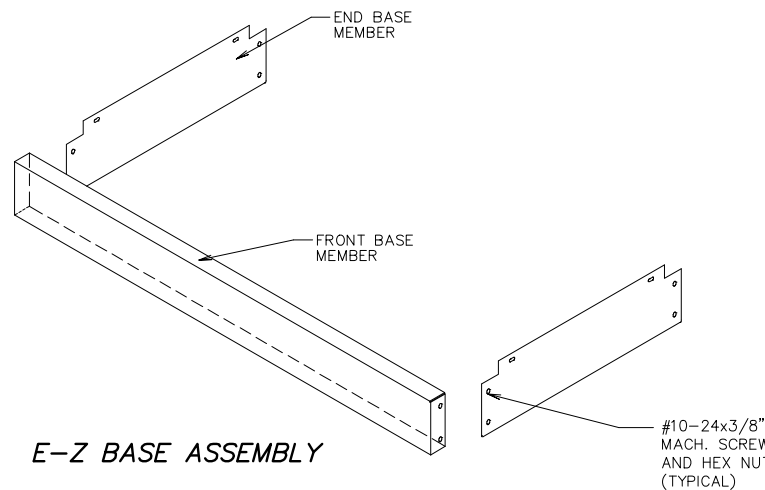
- 1.) FASTEN END BASE MEMBER INSIDE EACH END OF FRONT BASE WITH (2) #10-24 x 3/8" SCREWS AND HEX NUTS. (SEE DETAIL "A").
- 2.) PLACE LOCKER ON BACKSIDE, AND ATTACH BASE ASSEMBLY TO LOCKER BOTTOM PUNCHING, AND REAR LEG. (SEE PICTURE AT RIGHT)
- 3.) STAND LOCKER UPRIGHT AND SET INTO PLACE. ANCHOR LOCKER SECTION TO WALL WITH 150# MIN. PULLOUT VALUE ANCHORS.
- 4.) REPEAT FOR NEXT SECTION OF LOCKERS AND SLIDE ASSEMBLY FLUSH AGAINST PREVIOUS SECTION TO ANCHOR. IF DESIRED, ADJACENT SECTIONS MAY BE FASTENED TOGETHER BY BOLTING THROUGH THE LOCKER SIDES.



**E-Z BASE ASSEMBLY FOR SINGLE ROW LOCKERS**



**DETAIL "A"**



**E-Z BASE ASSEMBLY**

**INSTALLATION INSTRUCTIONS FOR LOCKER E-Z BASE**



REVISIONS E-220215-1

**9107-AA**