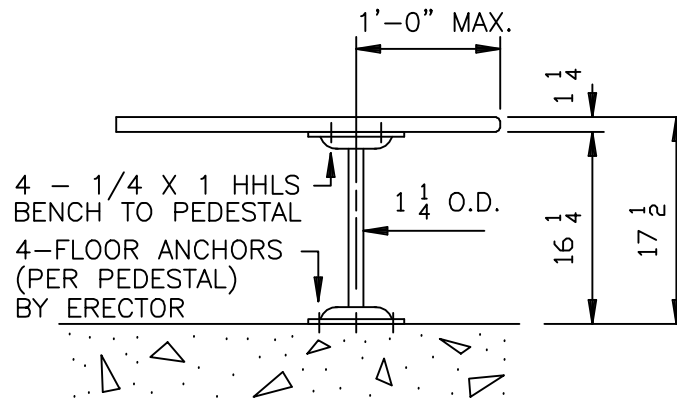


SEE SCHED. FOR LENGTHS



4 - 1/4 X 1 HHLS  
BENCH TO PEDESTAL  
4-FLOOR ANCHORS  
(PER PEDESTAL)  
BY ERECTOR

BENCH TOP FINISH - SHER-WOOD KEMVAR  
CONVERSION VARNISH. TWO COATS ON TOP AND  
EDGES, ONE COAT ON UNDERSIDE.

PEDESTAL COLOR: COLOR\_OF\_PEDESTAL



BENCH AND PEDESTAL