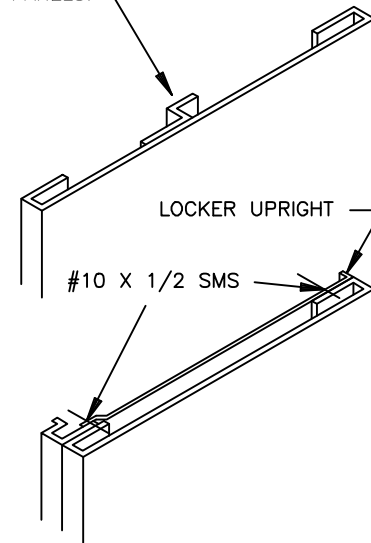


A "Z" BRACE IS SPOTWELDED  
AT THE CENTER OF DOUBLE  
ROW END PANELS.



LOCKER UPRIGHT

#10 X 1/2 SMS

ATTACHMENT OF PANEL  
TO LOCKER UPRIGHT



FLAT TOP BOX END PANEL