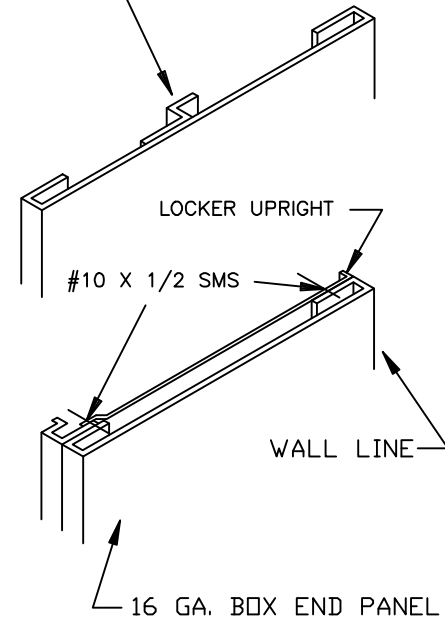


CONTINUOUS SLOPE TOP TO
EXTEND APPROX. 7/8 PAST
LOCKER AND SLIDE UNDER
BOX END PANEL

A "Z" BRACE IS SPOTWELDED
AT THE CENTER OF DOUBLE
ROW END PANELS.



ATTACHMENT OF PANEL
TO LOCKER UPRIGHT

○ 16 GA. BOXED END PANEL
FOR CONTINUOUS SLOPE TOP

