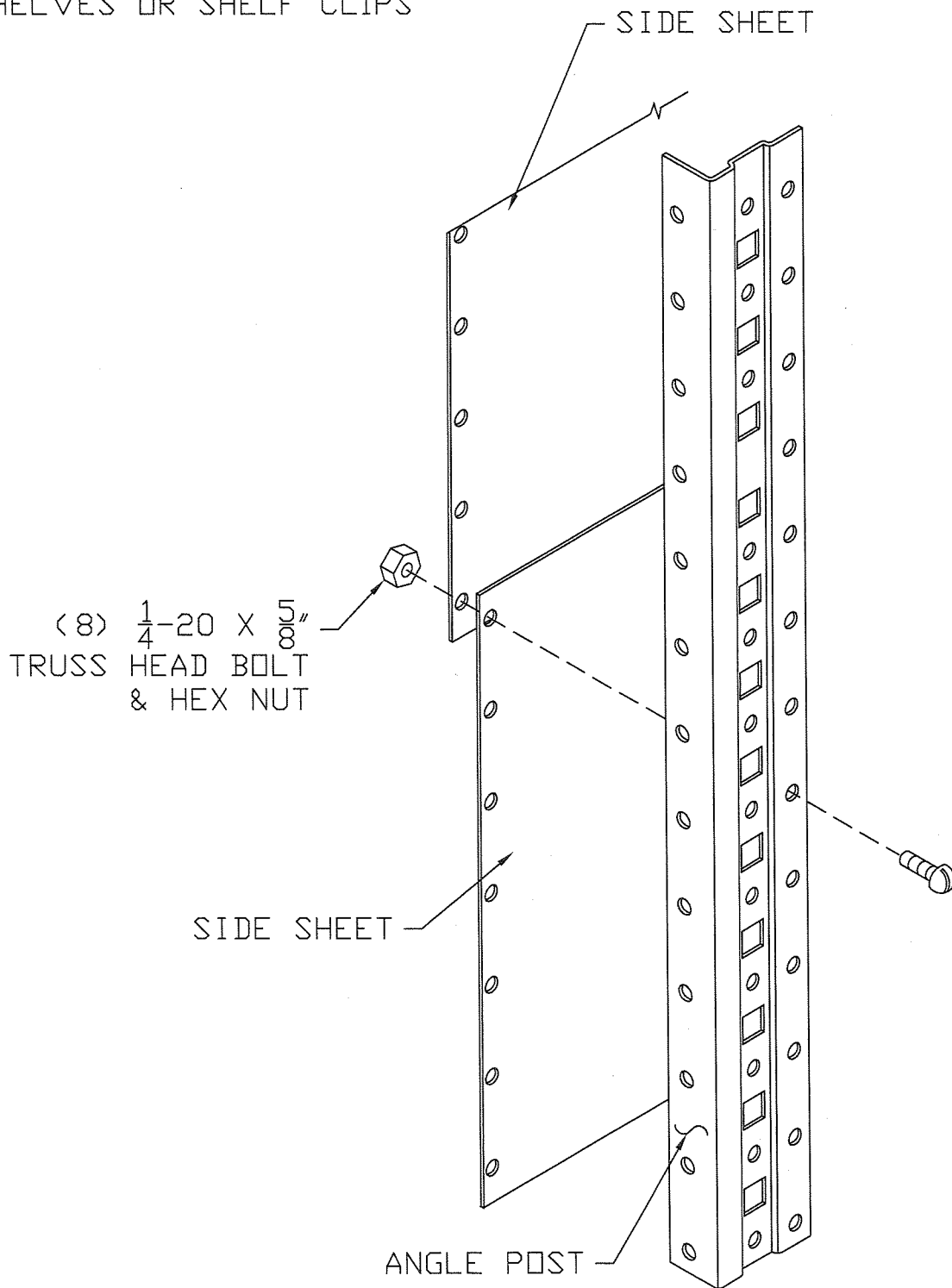


INSTALLER NOTE:
BOLT PLACEMENT SHOULD BE AT LOCATIONS
AS SUCH TO NOT INTERFERE WITH
SHELVES OR SHELF CLIPS



CONNECTION DETAIL
SIDE SHEET WITH OVERLAP