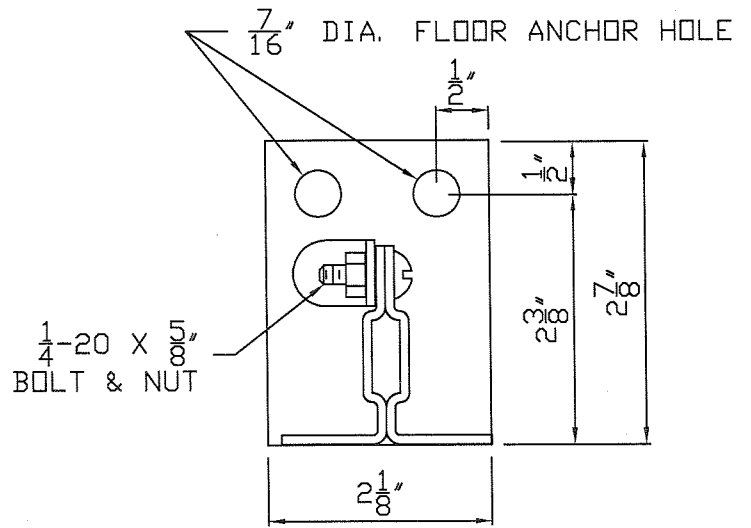
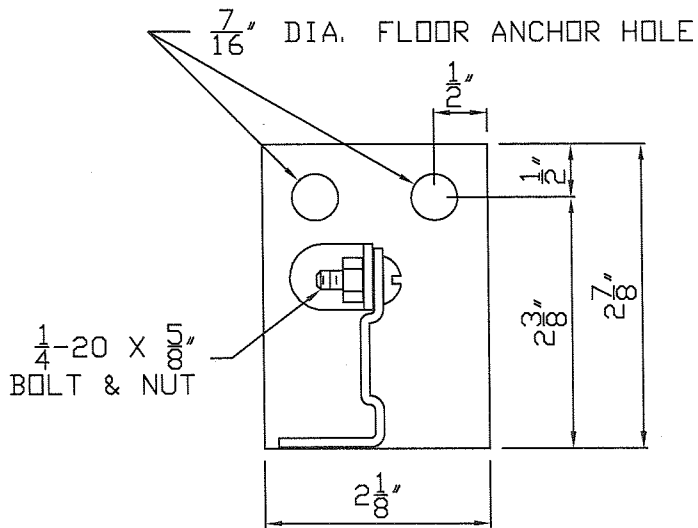


WHEN FACTORY WELDED UPRIGHTS ARE USED,
FIELD DRILL BOTTOM HOLE FOR FOOT PLATE.

ONLY <1> ANCHOR REQUIRED PER FOOTPLATE.
<NOTE: NOT ALL FOOTPLATES MAY NEED ANCHORED>



STANDARD FOOTPLATE
<2 1/8" X 2 7/8" X 13GA.>

1/4-20 X 5/8"
TRUSS HEAD BOLT & HEX BOLT