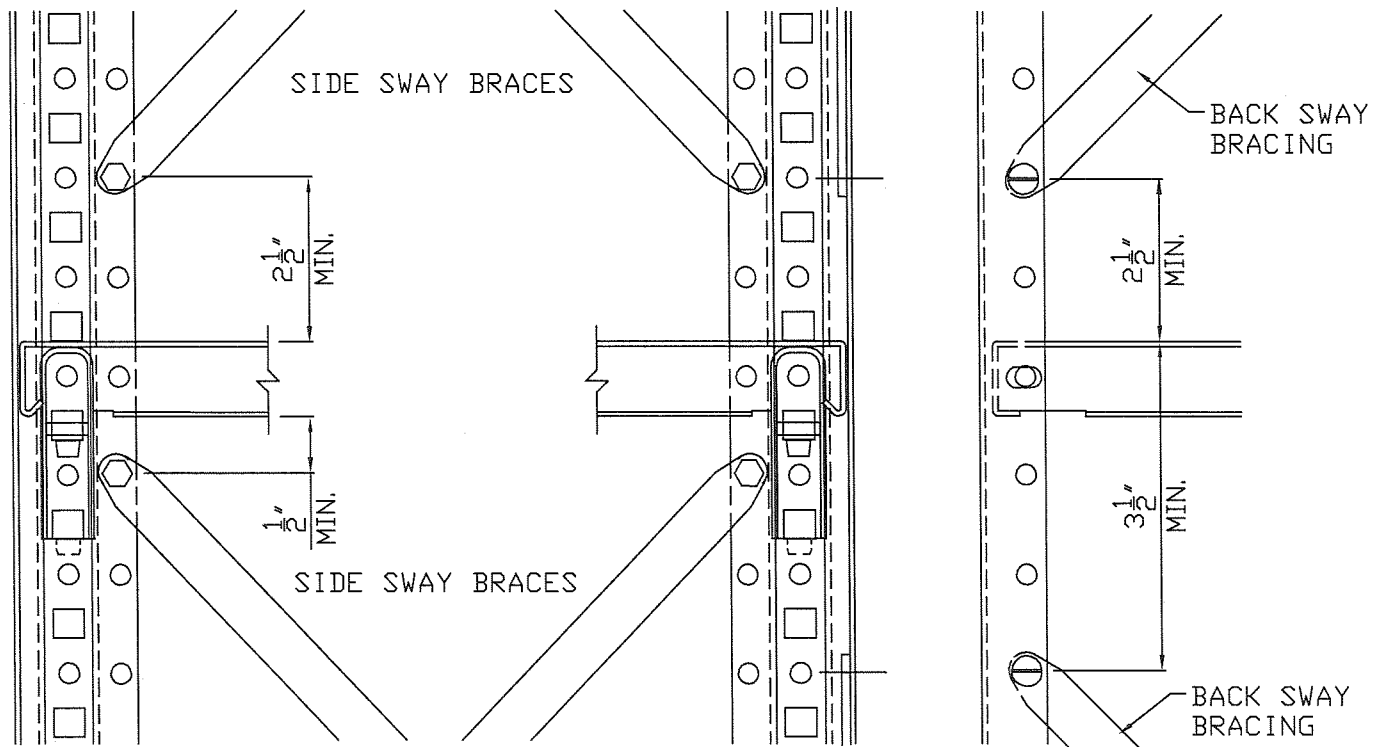
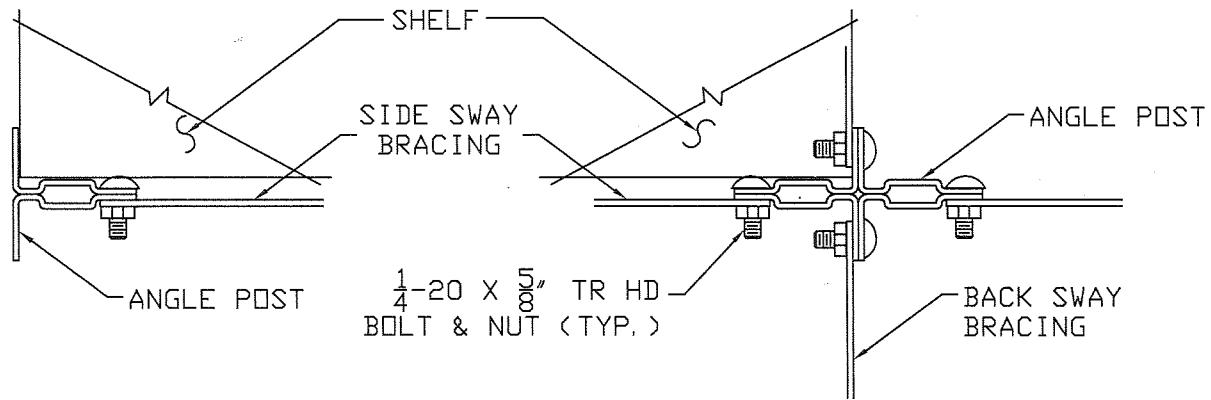


INSTALLATION NOTE:
 BOLTS USED FOR SIDE SWAY BRACING SHOULD
 FACE IN THE SAME DIRECTION, TYPICAL FOR
 ENTIRE LENGTH OF ROW. THIS EASES THE
 INSTALLATION OF SHELVES.



CONNECTION DETAIL:
 ANGLE POST SWAY BRACE CONNECTION (W/OPEN FLANGE SHELF)