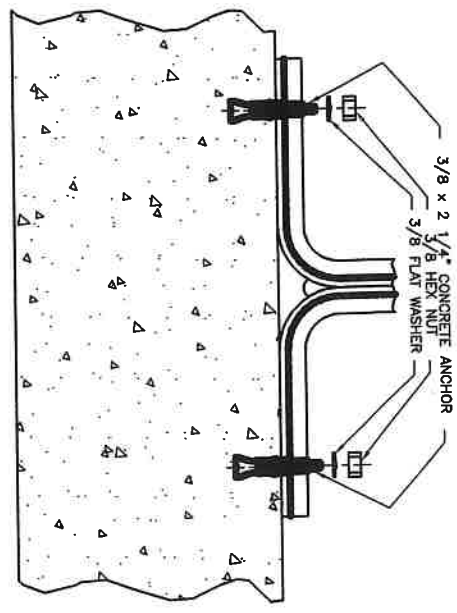
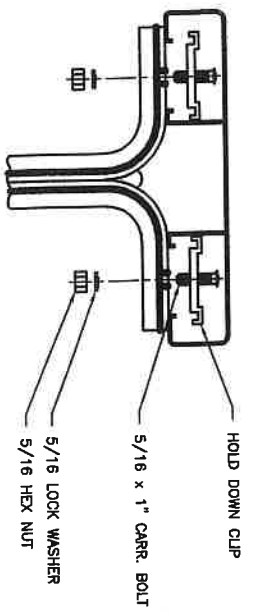


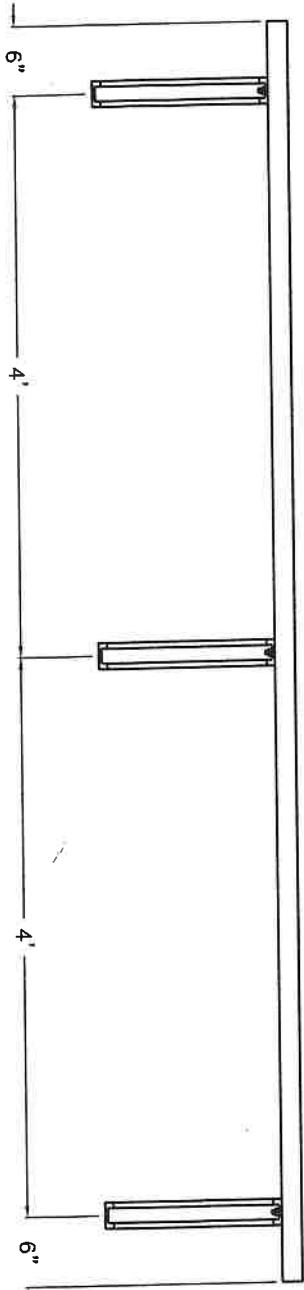
OPTIONAL PERMANENT MOUNTING



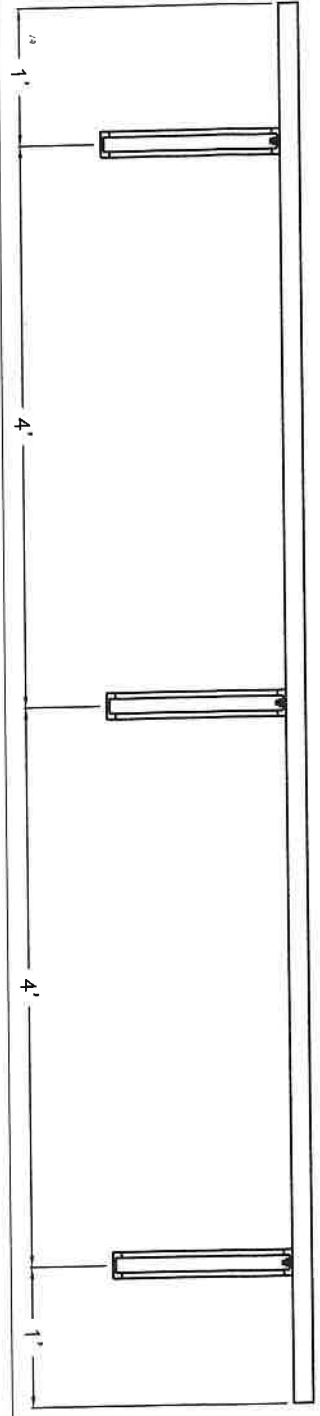
TYPICAL ALUMINUM PLANK ATTACHMENT



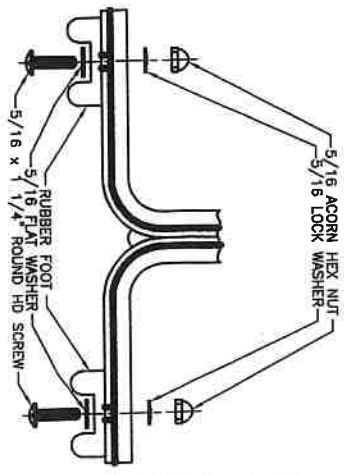
9'-0" MODEL (5826)



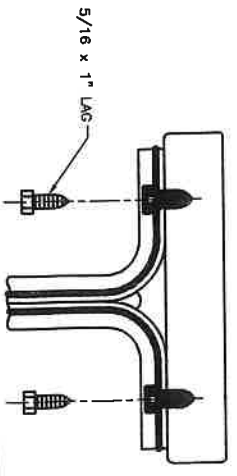
10'-0" MODEL (5827)



OPTIONAL PORTABLE MOUNTING



TYPICAL WOOD PLANK ATTACHMENT



ASSEMBLY PRINT FOR BENCH #S 5826, 5827
DL-3LEG

Republic
STORAGE PRODUCTS

www.republicstorage.com