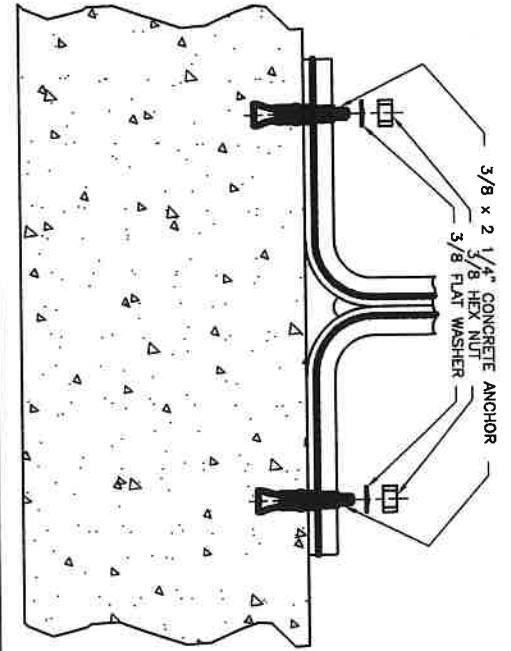
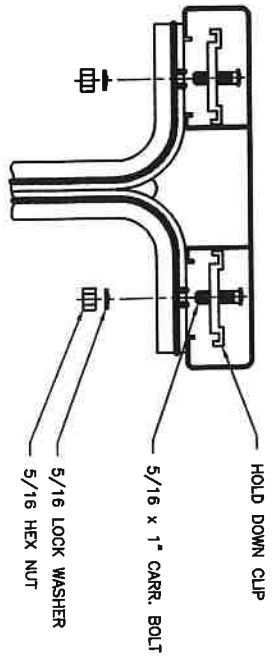


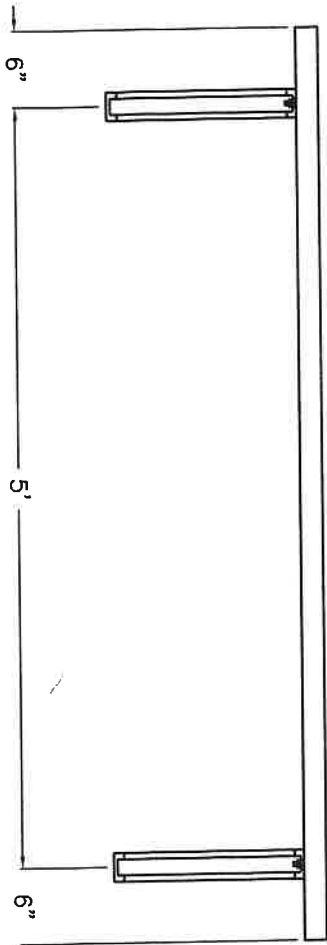
OPTIONAL PERMANENT MOUNTING



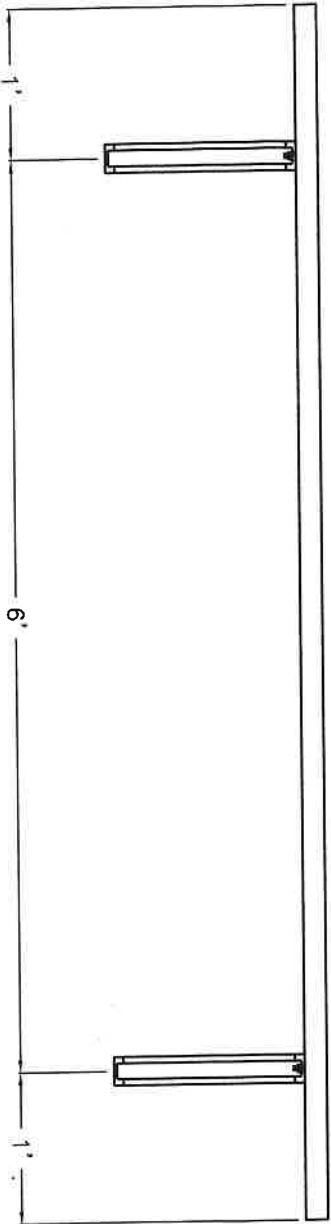
TYPICAL ALUMINUM PLANK ATTACHMENT



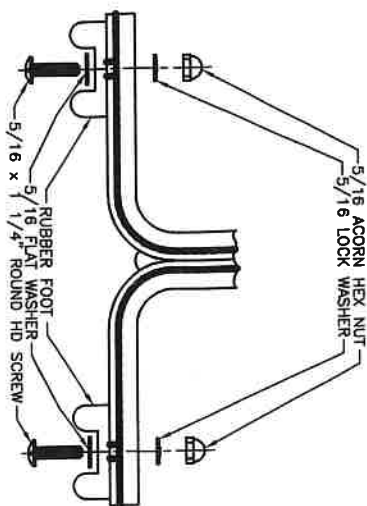
6'-0" MODEL (5824)



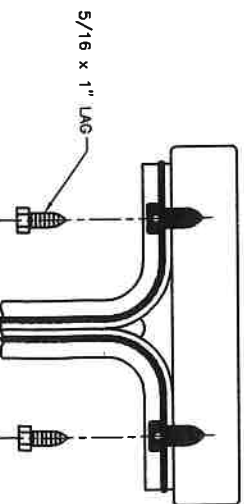
8'-0" MODEL (5825)



OPTIONAL PORTABLE MOUNTING



TYPICAL WOOD PLANK ATTACHMENT



ASSEMBLY PRINT FOR BENCH #'S 5824, 5825

DATE:

REVISED: DL-2LEG

Republic
STORAGE PRODUCTS