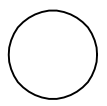
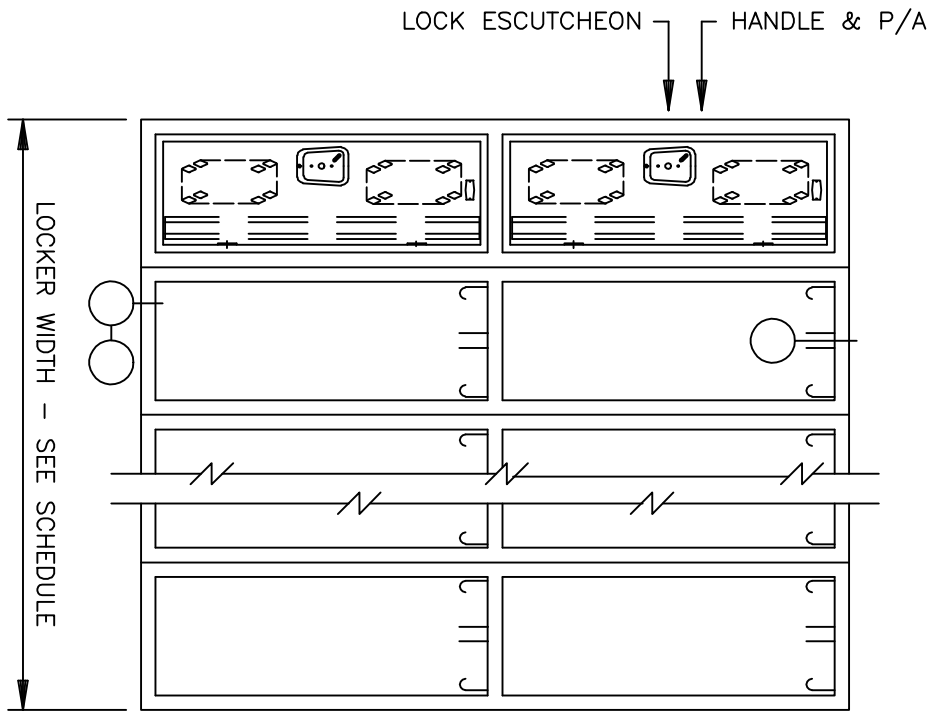


SINGLE POINT 2 ATHLETIC LOCKER - 60" DOUBLE TIER

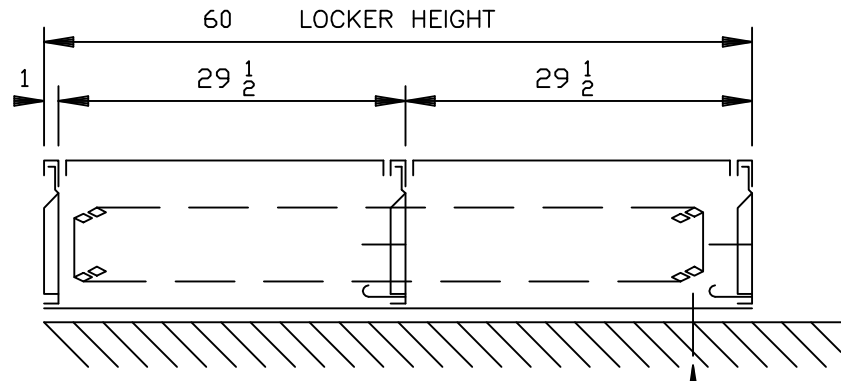
FRONT ELEVATION



SECTIONS

DEPTH
SR

DEPTH
SR BACK TO BACK



ANCHORING BY ERECTOR

