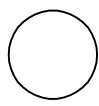
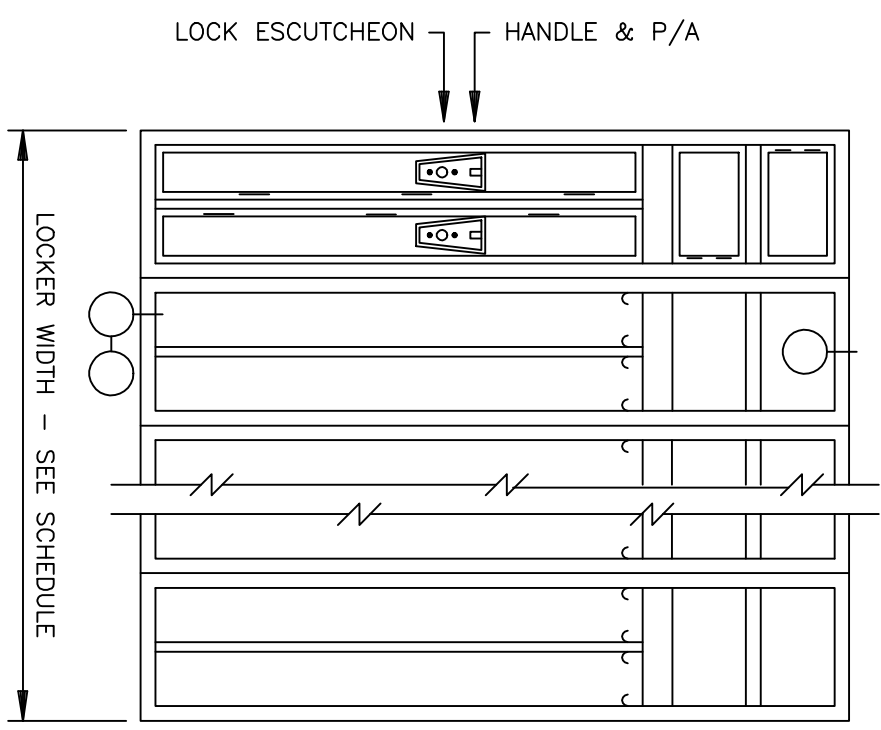


QUIET LOCKER - _____ " TWO PERSON



FRONT ELEVATION



SR SECTIONS
SR BACK TO BACK

