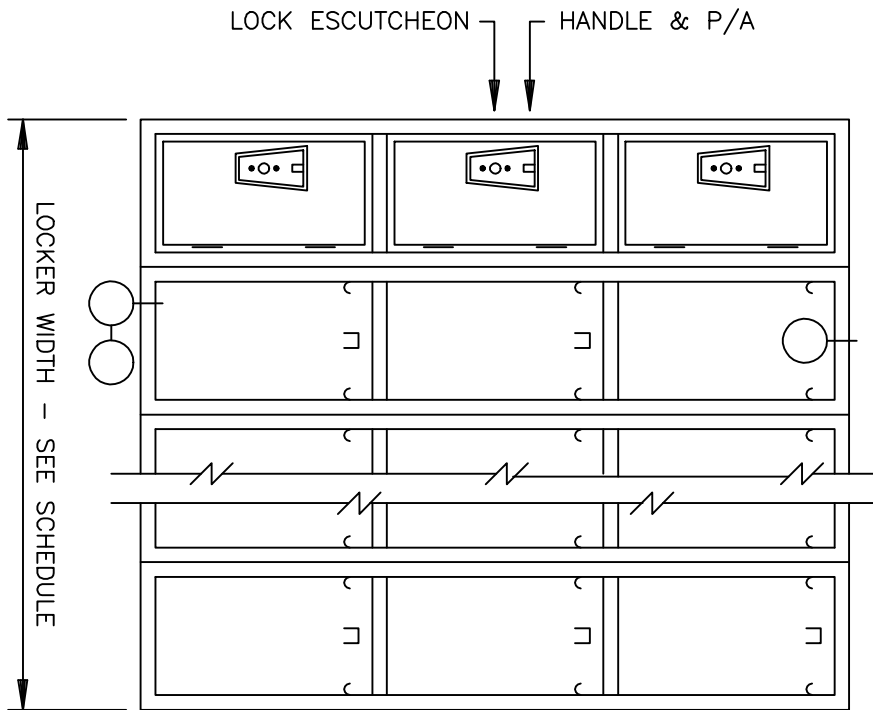


QUIET LOCKER - _____ " TRIPLE TIER

FRONT ELEVATION



SR SECTIONS
SR BACK TO BACK

