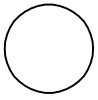
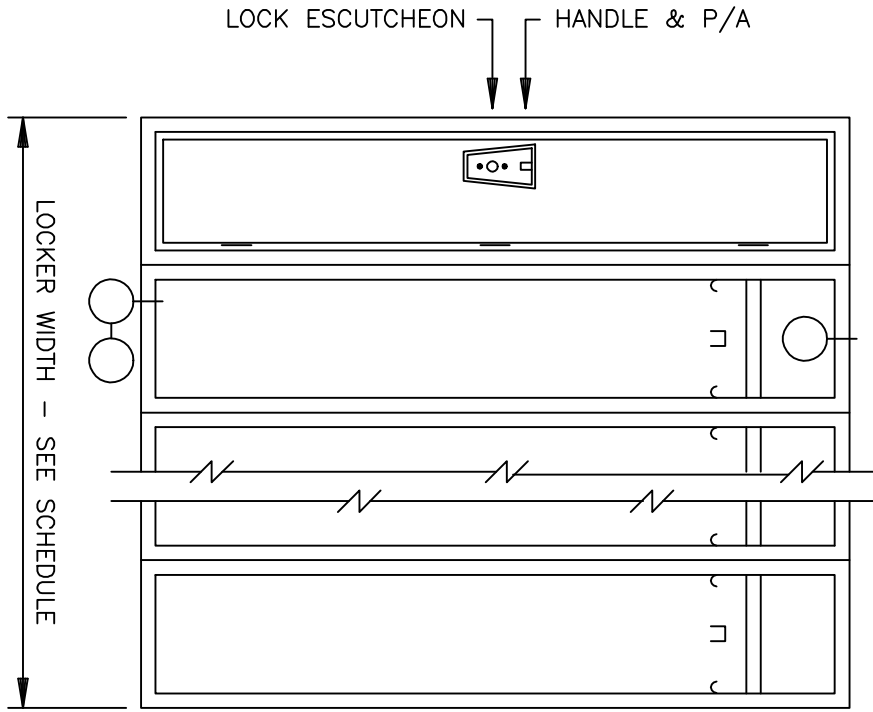


QUIET LOCKER - _____ " SINGLE TIER

FRONT ELEVATION



SR
SECTIONS
SR BACK TO BACK

