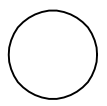
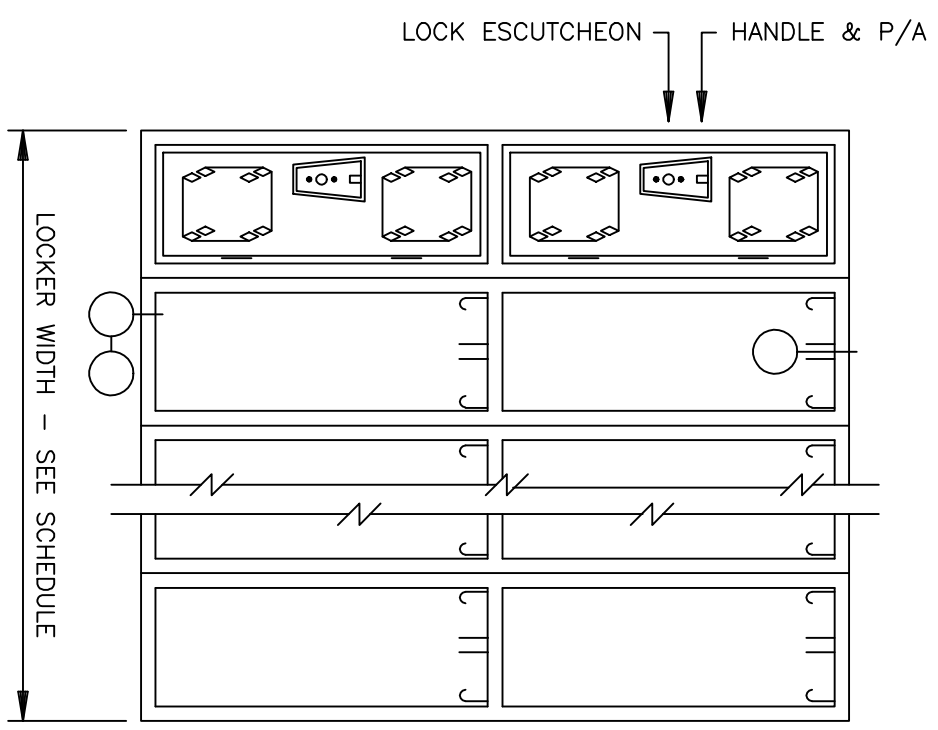
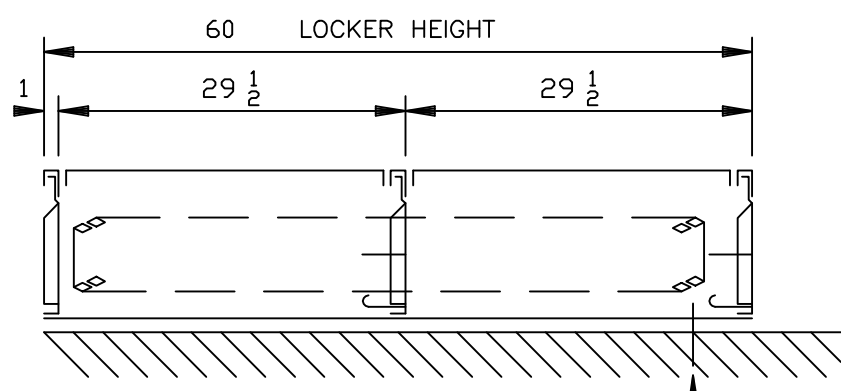
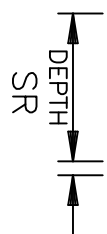


HEAVY DUTY VENTILATED LOCKER - 60" DOUBLE TIER

FRONT ELEVATION



SECTIONS



ANCHORING BY ERECTOR

