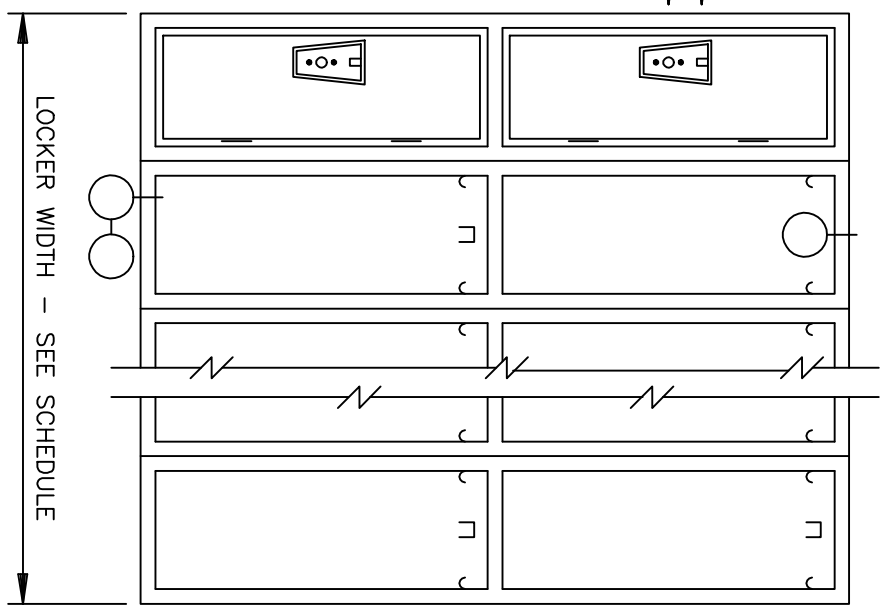
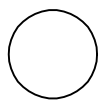


LOCK ESCUTCHEON      HANDLE & P/A

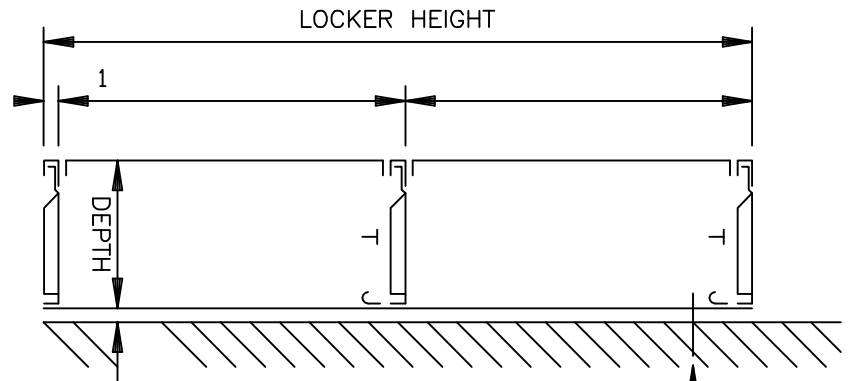


FRONT ELEVATION

HEAVY DUTY CORRIDOR LOCKER - \_\_\_\_\_ " DOUBLE TIER



SR SECTIONS      SR BACK TO BACK



ANCHORING BY ERECTOR

