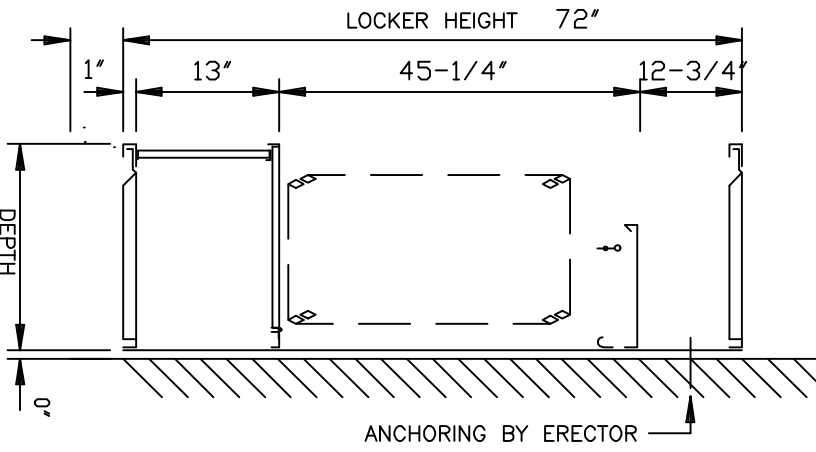


FRONT ELEVATION

ALL WELDED MVP (OPEN FRONT LOCKER)  
WITH FOOTLOCKER



SECTION

ANCHORING BY ERECTOR